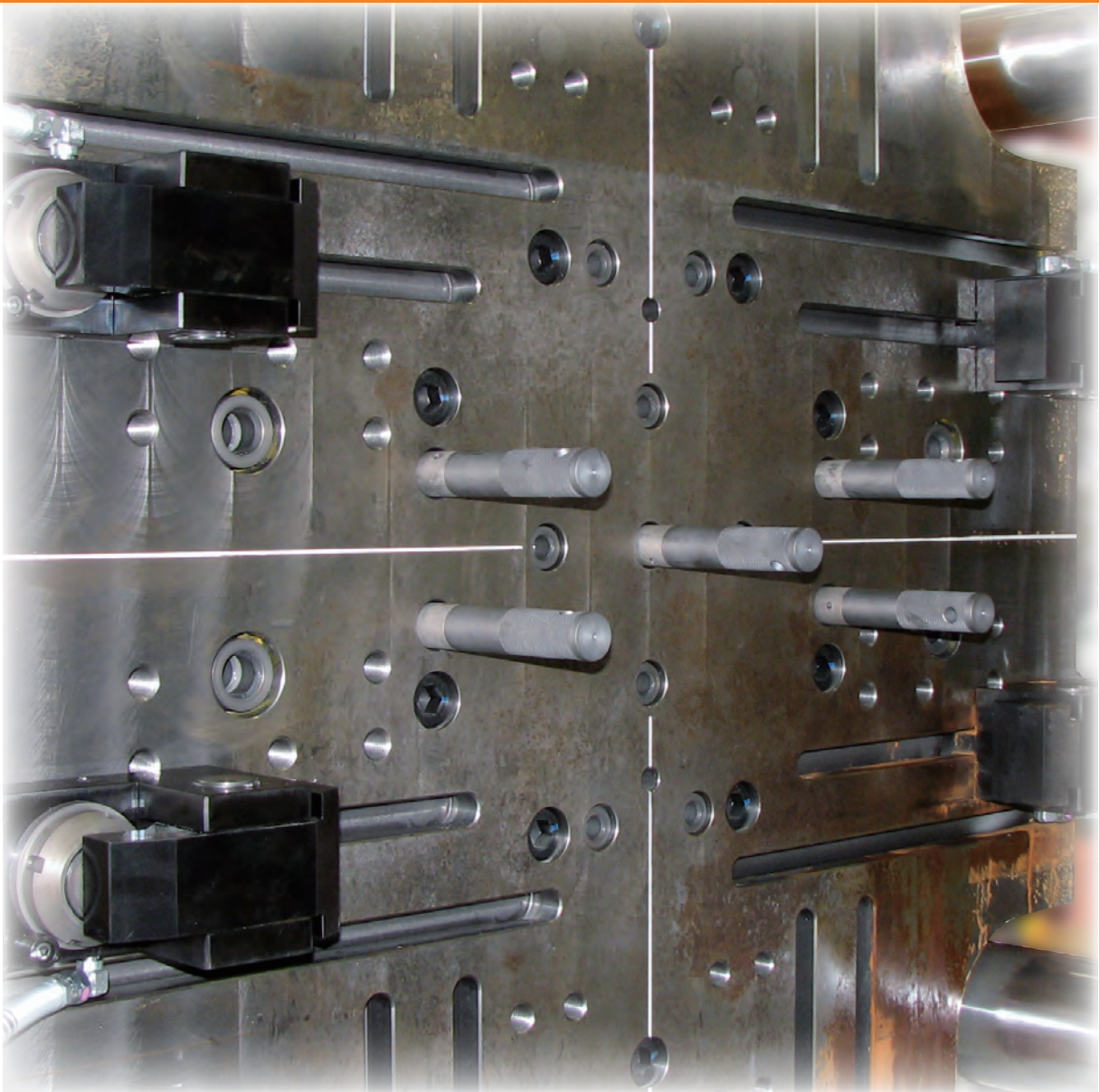




Quick Connect Ejector Rods

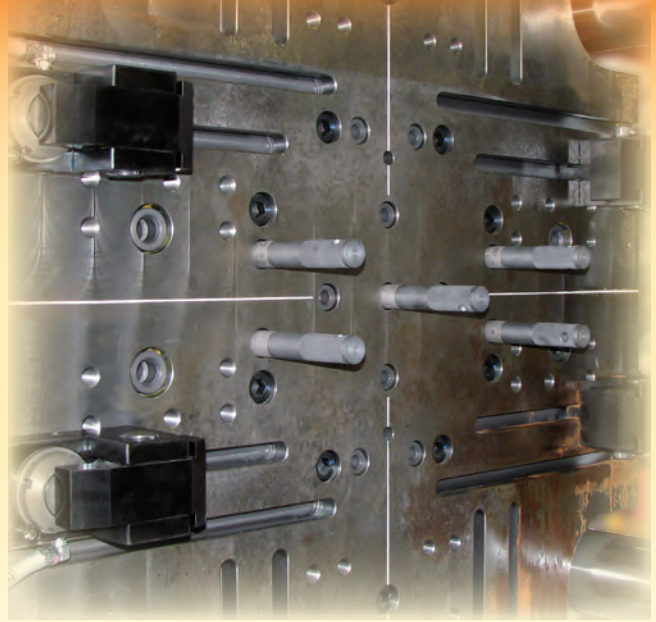
Fast, simple and easy-to-use!

- Dramatic reduction in change time
- No tools or effort required



Quick connect ejector rod

Model PME



The ejector rod has been divided into a base rod and an attachment rod for speed, simplicity and ease-of-use when changing ejector patterns. No tools are required, allowing changes in mere seconds.

● Feature

● Easy-to-use

Divided ejector rods result in arranging ejector patterns only by pulling out and putting in attachment rods, allowing changes in mere seconds.

● No tools required

No tools are required but hand when changing ejector patterns.

● Light and safe

Changing only an attachment rod is light and safe for operation.

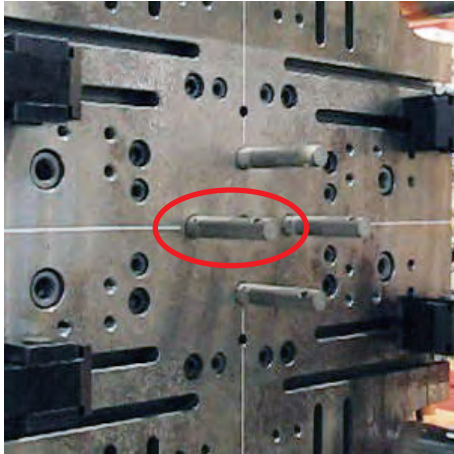
● Highly reliable

High reliability and long operating life by simple structure of the machine.

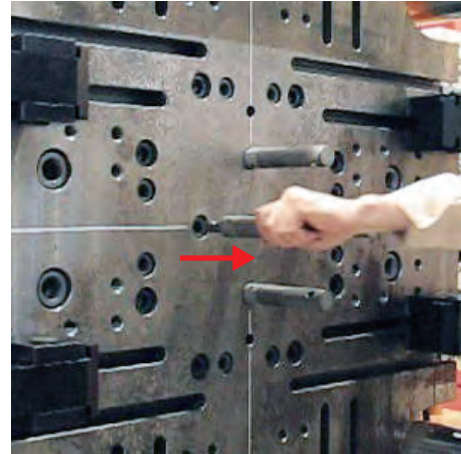
Exchange procedure

Pull out and insert in to exchange ejector rods!!

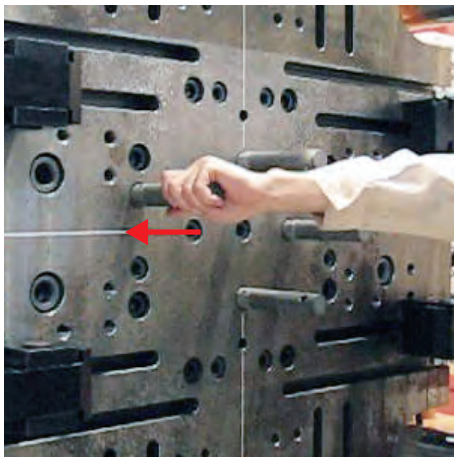
① Move the ejector plate fully forward.



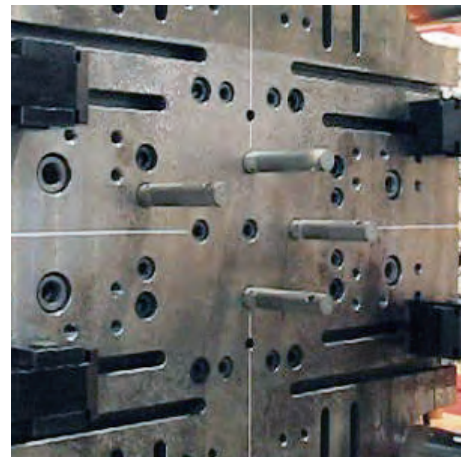
② Pull out the attachment rods manually.



③ Arrange them in the new pattern.



④ Ejector rod pattern change in seconds ^{※1}



※1. Changing time depends on the machine size, rod length and working environment etc.

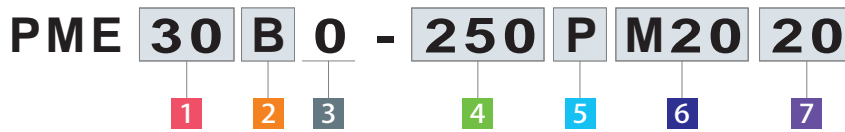
Fast, simple and easy-to-use!!

Dramatic reduction in change time!!

No tools or effort required!!

Dramatic improvement in exchanging ejector rods!!

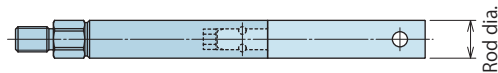
Model No. indication



1 Rod diameter

- 25** : ϕ 25mm
- 30** : ϕ 30mm
- 45** : ϕ 45mm

※ Please contact us for any other rod diameters listed above.



2 Rod component

- A** : Attachment rod (Removable)
- B** : Base rod (Fixed)



B : Base rod (Fixed)

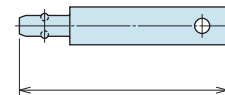
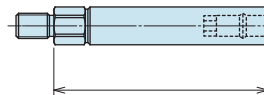
A : Attachment rod (Removable)

3 Design No.

- 0** : Revision number of product

4 Rod length

Attachment rod length (Ejector stroke)
 (Total attachment rod length = ejector stroke+5)



Base rod length (total ejector rod length-ejector stroke)
 (Total ejector rod length = base rod length-5)

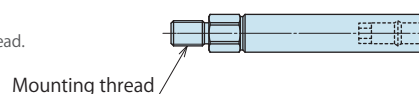
- Notes
1. The rod length is needed to put down by 1mm unit.
 2. Please specify the rod length, considering the offset dimensions to prevent the rod from over hanging. Recommended offset dimension is 5mm.
 3. When using a magnet clamp or insulation board, please check the board thickness dimensions and specify the rod length.

5 Thread type (Base rod only)

- P** : Male thread
- ※ For female threading, please contact us.

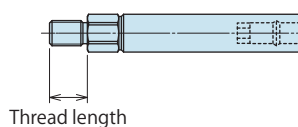
6 Mounting thread (Base rod only)

Example : M24 = M24 coarse thread
 ※ Please specify it by metric coarse screw thread.



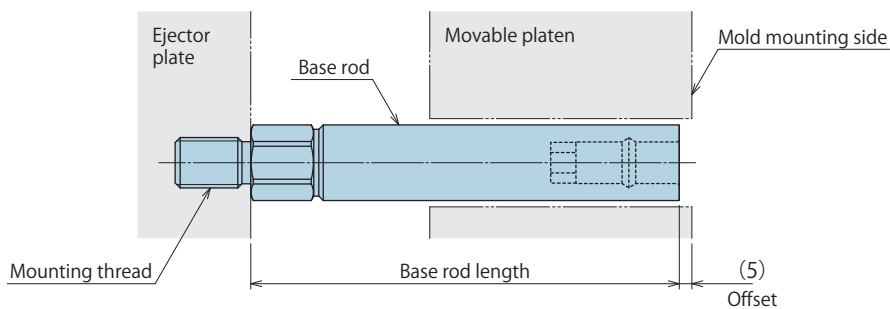
7 Mounting thread length (Base rod only)

Example : 20 = Bolt length is 20mm

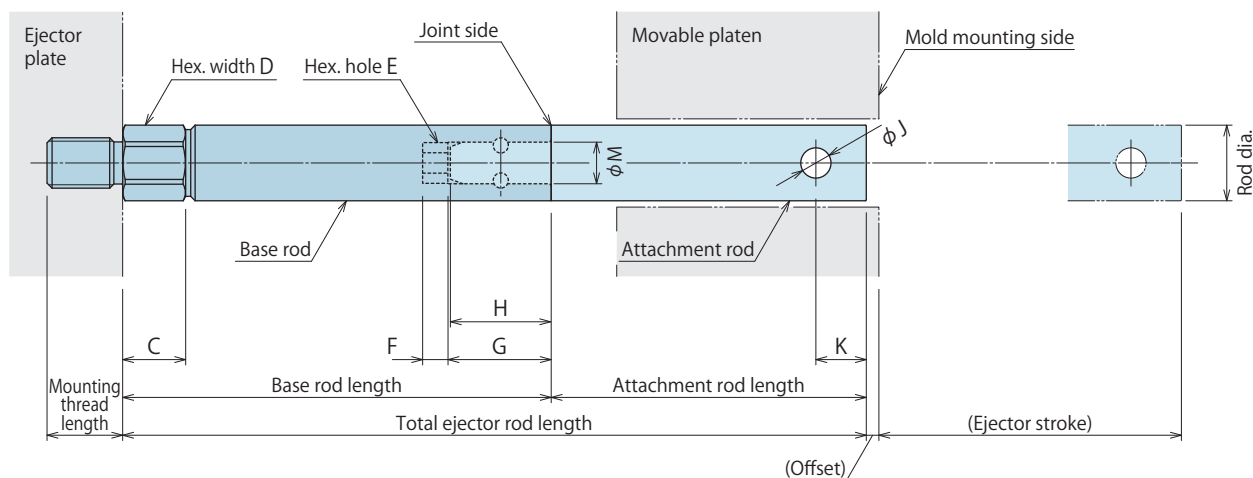


External dimensions

Forward position (Base rod only)



Backward position (When fitted)



Dimensions list

(mm)

Model	Attachment rod	PME25A0-□	PME30A0-□	PME45A0-□
	Base rod	PME25B0-□P□□	PME30B0-□P□□	PME45B0-□P□□
Rod diameter		φ 25	φ 30	φ 45
C		25	25	30
D		22	27	41
E		14	14	19
F		10	10	15
G		41	41	51
H		40	40	50
J		12	12	18
K		20	20	30
M		16.5	16.5	26

- Notes
1. The rod length will be determined by customers. Please specify the rod length in model no. indication.
 2. Please specify the rod length including the offset amount considering the machine specifications and application.
 3. Please contact us for more specific dimensions of individual orders.

Cautions

Notes on design

- 1) Check the specifications
 - Please use each product according to the specifications.
- 2) Please make sure that there is no foreign substances on fitting side when connecting.
 - If there is a possibility that foreign substances adhere to fitting side of each end, please eliminate them with air blowing.
Otherwise, it may cause connection error due to the existence of foreign substances.
- 3) Please avoid using in the situation that rods may be affected by eccentric load.
 - Buckling is caused by eccentric load.
Rods can be broken by eccentric load.
- 4) Inclined ejector plate or deformation of ejector rod mounting bolt holes cause malfunction due to the interaction between ejector rods and ejector holes of the board.

Notes on installation

- 1) Mounting / removing
 - When mounting / removing, tighten the base rod with a hexagonal wrench using hex key inside base rod diameter. When tightening, make sure not to scratch the joint part. (You can also tighten the base rod with a spanner from the outside of the base rod.)
Torque values for the mounting screw are shown in the table below.

Bolt size	Fastening torque (N·m)
M16	100
M20	200
M24	315
M30	630
M36	1000
M39	1400

Notes on handling

- 1) Do not handle or remove the machine unless the safety is ensured.
 - ① The machine and equipment can only be inspected or prepared when it is confirmed that the preventive devices are in place.
 - ② Before the machine is removed, make sure that the above-mentioned safety measures are in place.
 - ③ After stopping the machine, do not remove until the temperature cools down.
 - ④ Make sure there is no abnormality in the respective parts before restarting the machine or equipment.
- 2) Do not disassemble or modify it.
 - If the equipment is taken apart or modified the warranty will be void, even within the warranty period.

Maintenance and Inspection

- 1) Removal of the machine
 - Before the machine is removed, make sure that the preventive devices are in place.
Make sure there is no abnormality in the respective parts before restarting the machine or equipment.
- 2) When it is difficult to pull out the attachment rod.
 - When the joint part is sticking with foreign substances, take them out by putting a stick into the through hole in the side of the attachment rod.
- 3) Regularly tighten base rods to ensure proper use.
- 4) The products should be stored in the cool and dark place without direct sunshine and moisture.
- 5) Please contact us for overhaul and repair.

Warranty

- 1) Warranty period
 - The product warranty period is 18 months from shipment from our factory or 12 months from initial use, whichever is earlier.
- 2) Warranty scope
 - If the product is damaged or malfunctions during the warranty period due to faulty design, materials or workmanship, we will replace or repair the defective part of at our expense.
Defects or failures caused by the following are not covered.
 - ① If the stipulated maintenance and inspection are not carried out.
 - ② If the product is used while it is not suitable for use based on the operator' s judgement, resulting in defect.
 - ③ If it is used or handled in inappropriate way by the operator. (Including damage caused by the misconduct of the third party.)
 - ④ If the defect is caused by reasons other than our responsibility.
 - ⑤ If repair or modifications are carried out by anyone other than Kosmek, or without approval and confirmation, it will void warranty.
 - ⑥ Other caused by natural disasters or calamities not attributable to our company.
 - ⑦ Parts expenses or replacement expenses due to parts consumption and deterioration. (Such as rubber, plastic, seal material and some electric components.)

Damages excluding from direct result of a product defect shall be excluded from the warranty.

Specification sheet

 Quick connect
 ejector rod

Cautions

 Specification
 sheet

If you already have ejector rods and think of replacing it with ours, please put the ejector rods dimensions in the blank below and fax it your nearest sales office.

Personal information

Company ◆	
Name ◆	
Address ◆	〒
E-mail	
TEL ◆	
FAX	

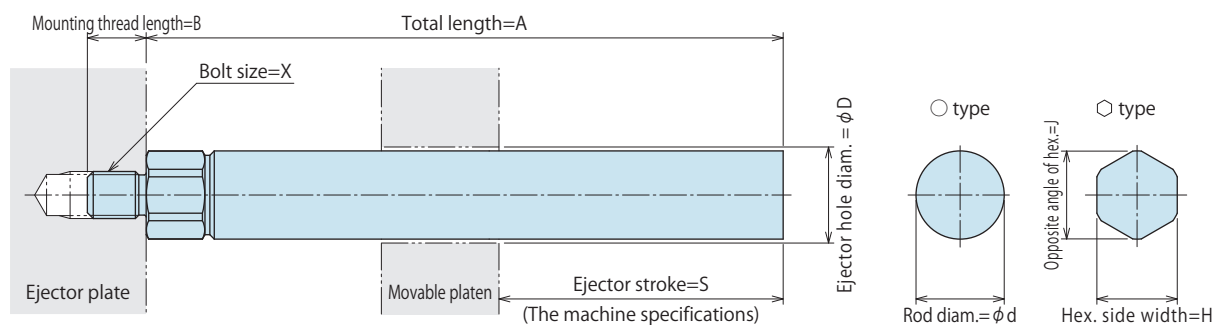
Notes

1. We use the personal information when confirming specification and submitting an estimation.
2. Please make sure that all the ◆ blanks filled in order to contact you from us.

I. M. M. information

Injection molding machine	Maker :	unit
	Model :	

Ejector rod external dimensions



Ejector rod dimension chart

Rod diameter	★ A	★ B	D	★ d ※1	★ H ※2	★ J ※2	★ S	★ X thread	Base rod necessary number	Attachment rod necessary number
for φ 25								M	number	number
for φ 30								M	number	number
for φ 45								M	number	number

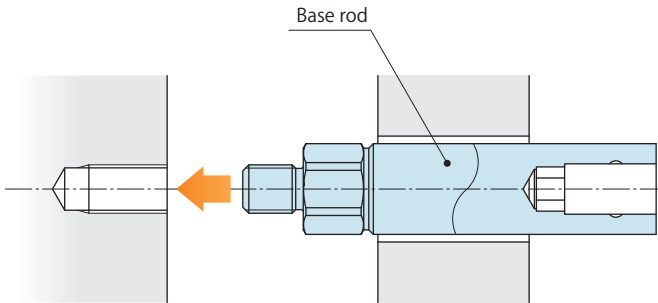
Notes

1. Please make sure that all the ★ blank is filled. The dimension is necessary for designing and manufacturing.
 2. All the dimension is needed to be put down by 1mm.
 3. Quick ejector rods could be damaged using in the condition where there are scratches or deformation at the female screw.
- ※1. This blank is only for the customer using ○ type rods.
 ※2. This blank is only for the customer using ⬡ type rods.

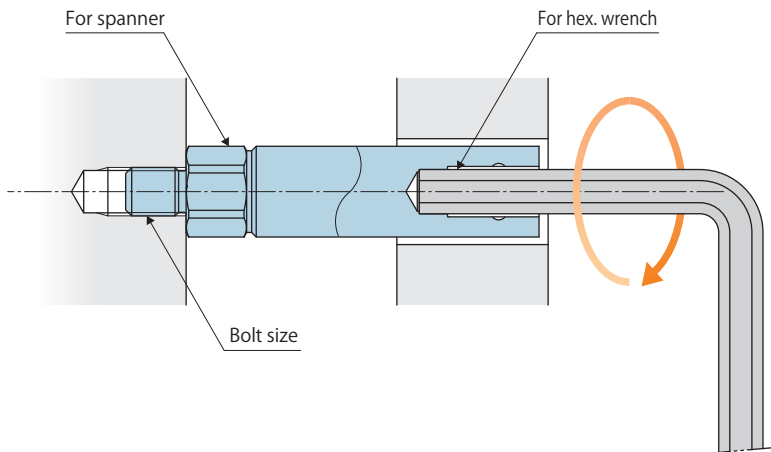
● Installation of the base rods

No special tools required !

- ① Align the base rod with the bolt hole in the ejector plate.



- ② The base rod can be tightened using a hex key.
(A wrench can also be used to tighten the rod.)



● Fastening torque

Bolt size	Fastening torque (N·m)
M16	100
M20	200
M24	315
M30	630
M36	1000
M39	1400

KOSMEK
Harmony in Innovation

HEAD OFFICE 1-5, 2-Chome, Murotani, Nishi-ku, Kobe 651-2241
TEL.+81-78-991-5115 FAX.+81-78-991-8787

BRANCH OFFICE (U.S.A.) KOSMEK (U.S.A.) LTD.
1441 Branding Avenue, Suite 110, Downers Grove, IL 60515 USA
TEL.+1-630-241-3465 FAX.+1-630-241-3834

THAILAND REPRESENTATIVE OFFICE 67 Soi 58, RAMA 9 Rd., Suanluang, Suanluang, Bangkok 10250
TEL.+66-2-715-3450 FAX.+66-2-715-3453

- FOR FURTHER INFORMATION ON UNLISTED SPECIFICATIONS AND SIZES, PLEASE CALL US.
- SPECIFICATIONS IN THIS LEAFLET ARE SUBJECT TO CHANGE WITHOUT NOTICE.



<http://www.kosmek.co.jp>